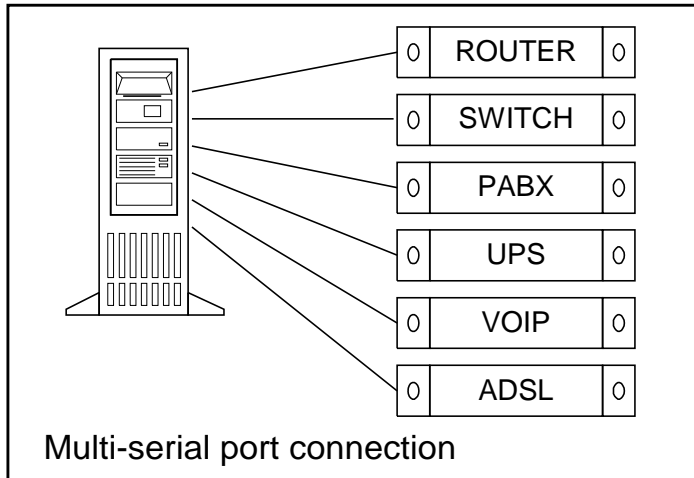
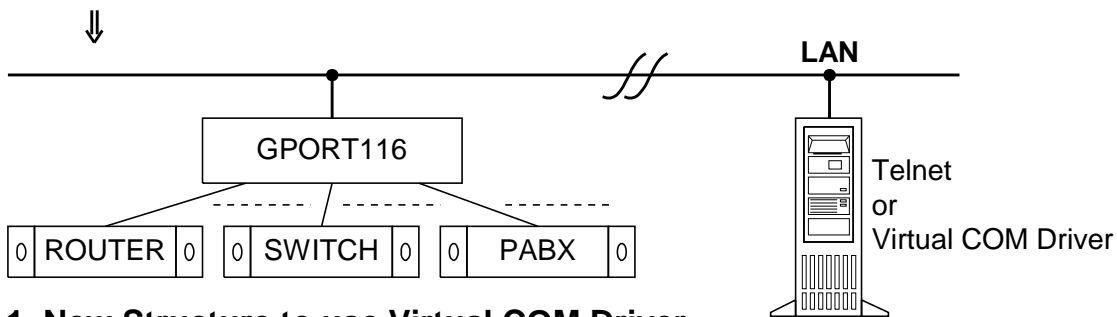


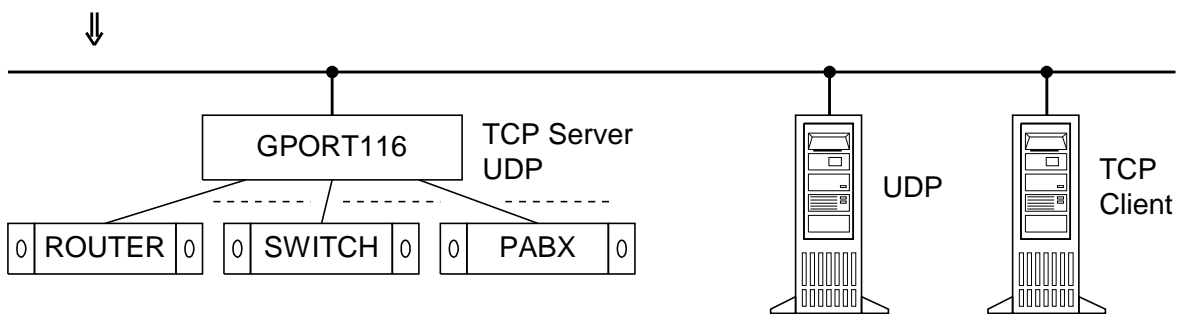
# How to extend your communication distance



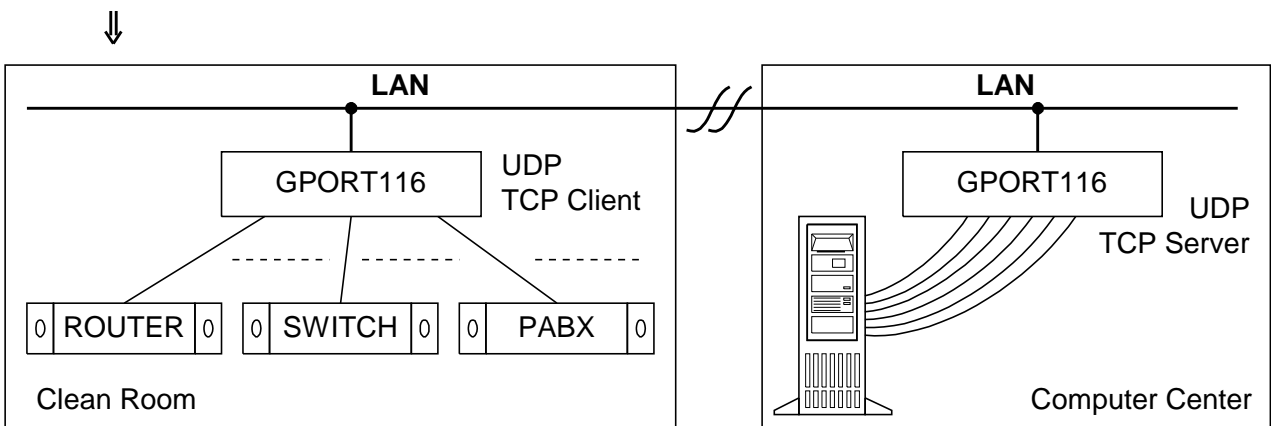
## Original Structure



### 1. New Structure to use Virtual COM Driver.



### 2. New Structure to use Telnet or socket programming.



### 3. New Structure to use GPORT116 in pair.